

Data Sheet: CNS Trend M



- › CNS 100 Trend M
- › CNS 150 Trend M
- › CNS 200 Trend M



- › Wall mounted convection electric heater
- › Modern, slimline design
- › Quiet, even temperature distribution
- › Variable temperature selection
- › Easy and quick installation



CNS Trend M

WALL MOUNTED PANEL HEATER

The new CNS Trend electric panel heater looks the part in any room thanks to its slimline, modern design. Available in three sizes, all heaters in the range are compact at only 10cm deep but generate great levels of heating comfort. These robust units offer variable temperature selection from 5°C to 35°C, they heat immediately and quietly with a steady radiant heat.

Model	TREND		
	CNS 100 Trend M	CNS 150 Trend M	CNS 200 Trend M
	202020	202021	202022
Output	kW 1.0	1.5	2.0
Current	A 4.2	6.3	8.3
Connection	1/N/PE ~ 240 V		
Temperature adjustment	°C 5 - 35		
IP Rating	IP24		
Height	mm 450	450	450
Width	mm 426	582	738
Depth	mm 100	100	100
Weight	kg 4.6	6.0	7.7
Colour	Alpine white		
Installation	Wall mounted		

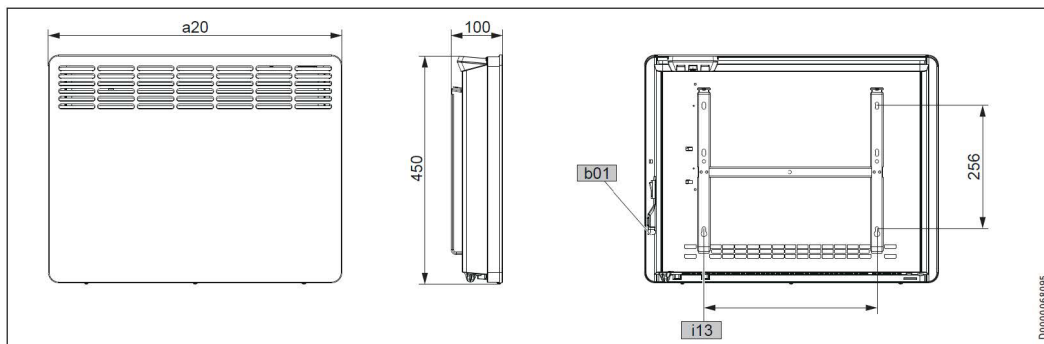


CNS Trend M



Mechanical Controller

CNS Trend M Dimensions



STIEBEL ELTRON is committed to our policy of continual improvement, some features may have subsequently been changed or even removed. Our advisors will be happy to consult with you regarding the currently applicable equipment features. The images used in this data sheet are for reference only.